

**Printronix Auto ID Guide Specification
RFID Label
860-960 MHz EPC Class 1, Gen 2
Invengo xWing M5 Antenna**



Applicable Printer Models

SL4M/SL5000R-ES MP2 and SL4M Short Pitch

Disclaimer

Notwithstanding anything to the contrary in this document, the guidelines, suggestions and other information included in this document or otherwise provided to the recipient, including the guidelines and suggestions for developing converted RFID labels, are provided by Printronix Auto ID on an "as is" basis and without warranty of any kind whatsoever, expressed or implied. In particular, Printronix Auto ID disclaims any implied warranty of merchantability or fitness for a particular purpose. Printronix Auto ID will not be liable under any circumstances for any damages or losses related in any way to use of the guidelines, specifications or other information, including damages, which may be incurred as a result of labels not working properly in a specific application. All specifications are subject to change without notice. Testing of the converted labels in the printer is recommended prior to production quantities.

6/16/2016

Scope

This document provides guide specifications for constructing UHF Class 1, Gen 2, RFID labels with an Invengo xWing M5 RFID Gen2 Antenna for use with Printronix Auto ID RFID SL4M and SL5000R-ES MP2 and SL4M Short Pitch printers.

Requirements

Inlay Characteristics

Inlay: **Invengo xWing M5**. Silicon Type: **Impinj Monza 5**. TID: **E2801130**.

Nominal operating frequency: **860-960 MHz**.

EPC Memory: **128 bits**.

User Memory: **N/A**.

EPC Protocol: **UHF Class 1, Gen 2**

Printer Setup

SL4M/SL5R-ES MP2 & SL4M Short Pitch Coupler Position: **Yellow**

SL4M/SL5R-ES & SL4M Short Pitch RFID menu Tag Type: “**Invengo xWingM5**”

SL4M/SL5R-ES MP2 RFID menu (Interim Tag Type: “**Avery AD231D**”).

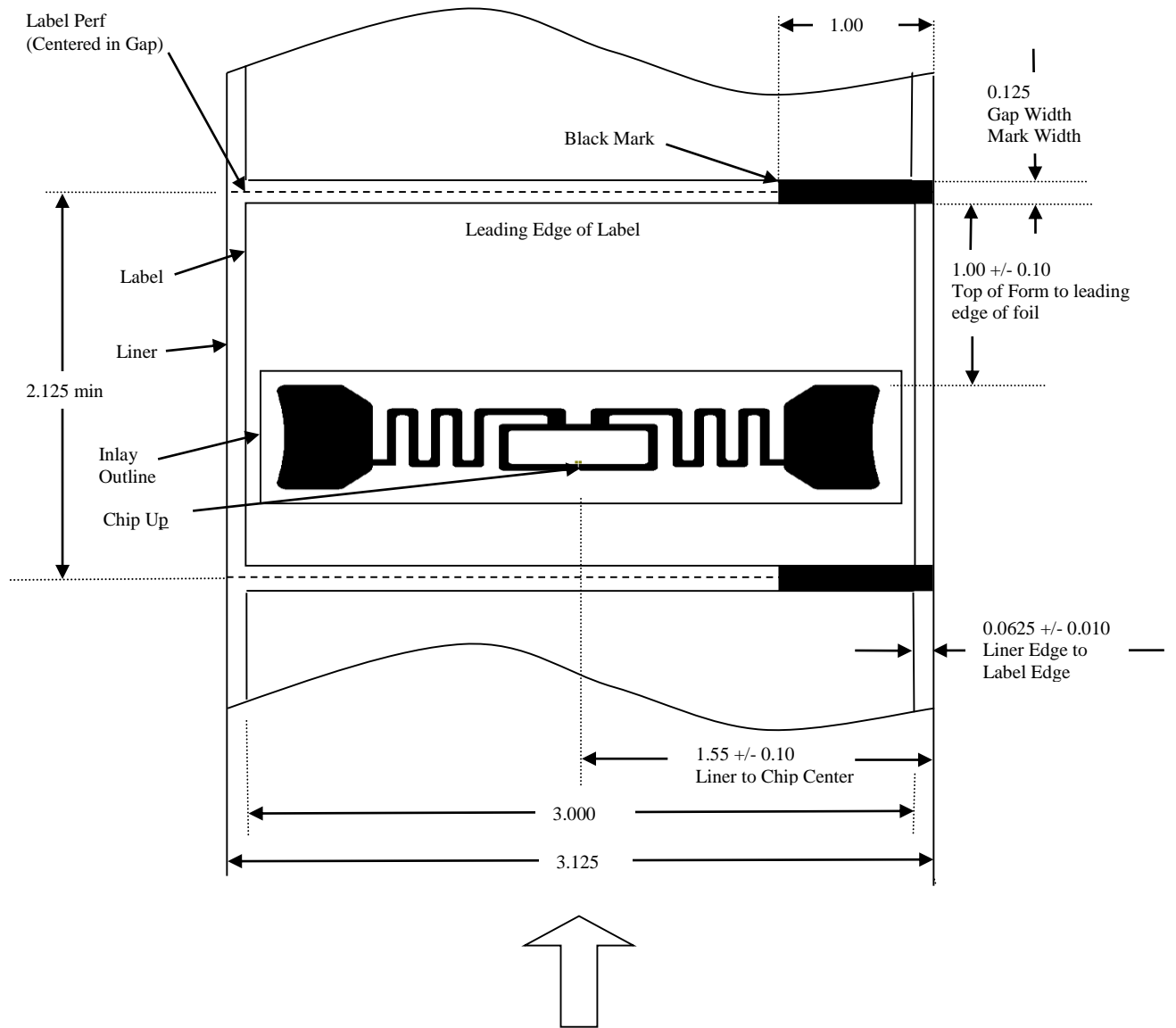
SL4M Short Pitch RFID menu (Interim Tag Type: “**Avery AD231D**”).

SL4M Short Pitch RFID menu Tag Position: **-0.2 inches**

Interim Tag Type selection works with 96 bit EPC only. Printer firmware update is required to work with full memory.

Contact Information

For comments or questions, please contact Andy Edwards at AEdwards@Printronixautoid.com or 657-258-0816.



Label Side View

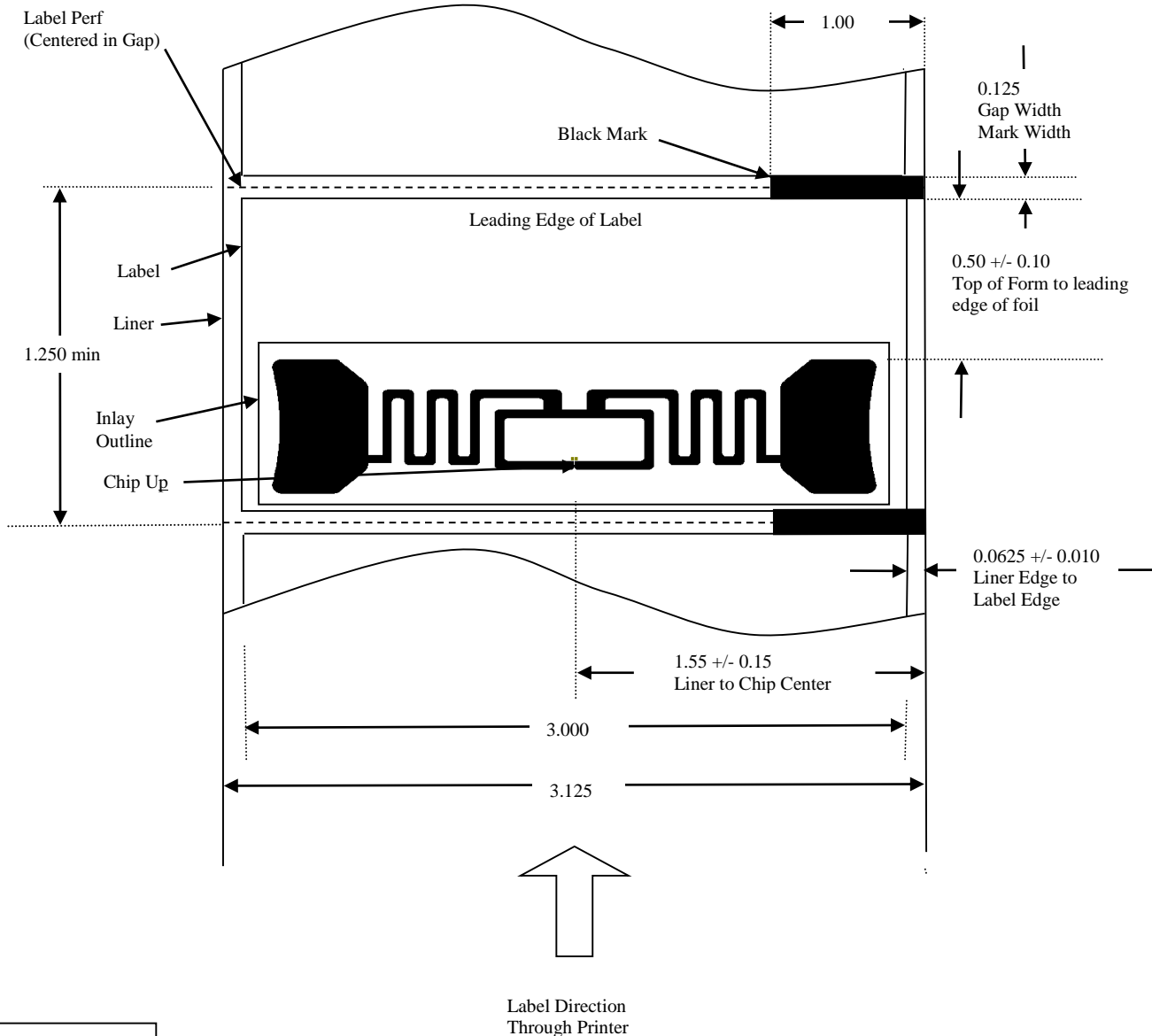
Label Direction
Through Printer

**Printronix Auto ID RFID Label Requirements for SL4M/SL5R-
ES MP2 Gen 2
Invengo xWing M5 Inlay**

Not to Scale
All Dimensions in Inches

June 16, 2016
Revision 1.0

Figure 1. Label Layout



Label Side View

Printronix Auto ID RFID Label Requirements for SL4M “Short Pitch” Invengo xWing M5 Inlay

Not to Scale
All Dimensions in Inches

June 16, 2016
Revision 1.0

Figure 2. Label Layout